

PRODUCT DATA

Piezoelectric Accelerometer DeltaTron[®] Accelerometer — Type 5958-A

This rugged accelerometer is suitable for most practical vibration measurements in wet or seawater conditions, such as seabed installations, submersible craft, offshore oil installations, sea-going vessels, etc. In addition to use in conditions of extreme humidity, it is also ideal for monitoring machines that are immersed in various types of fluids such as those found inside gearboxes, pumps, pipelines, etc.

Uses

- Underwater measurements to 450 metres depth
- Measurement in harsh environments – wet, submerged, or oily environments

Features

- Low impedance DeltaTron preamplifier
- Electrically insulated and internally shielded
- DeltaShear[®] design for low-sensitivity to environmental factors



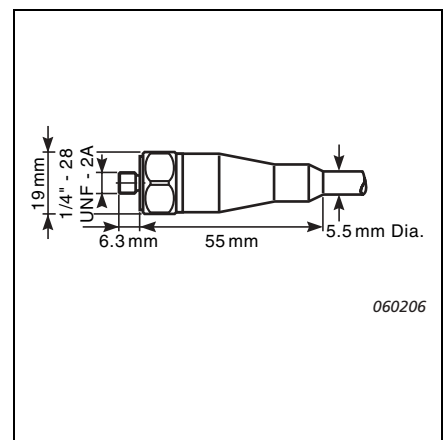
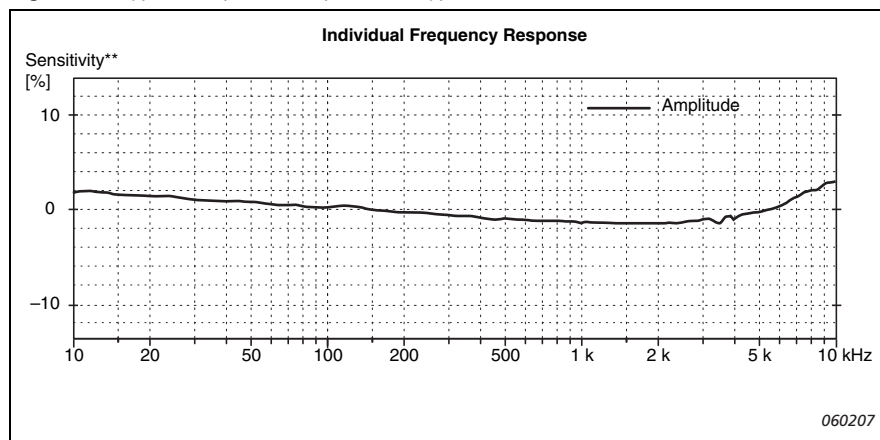
- Corrosion resistant
- Highly resistant to oil, solvents and other fluids

Characteristics

The unit features an integral cable terminating in a BNC connector. The accelerometer and cable jacket material is highly resistant to oils, solvent, fats, greases and gasoline. Standard cable length is 10, 30, 50 and 100 metres. For individual cable lengths up to 200 metres, please consult your local representative.

The construction of Type 5958-A is a DeltaShear[®] design incorporating three piezoelectric elements and three masses arranged in a triangular configuration around a centre post. This design gives a high sensitivity-to-mass ratio, a relatively high resonance frequency and high isolation from base strain and temperature transients.

Fig. 1 Left: Typical amplitude response of Type 5958-A



Calibration

The transducers are individually calibrated using state-of-the-art random FFT technology, providing a 1600-point high-resolution calibration (magnitude and phase) ultimately giving a unique characterisation and securing the integrity of the vibration measurement.

mately giving a unique characterisation and securing the integrity of the vibration measurement.

Specifications – DeltaTron Accelerometer Type 5958-A

	Units	5958-A-010	5958-A-030	5958-A-050	5958-A-100
Dynamic Characteristics					
Voltage Sensitivity (@ 159.2 Hz)	mV/ms ⁻² (g)	1 (10) ±5%			
Measuring Range	ms ⁻² (g)	±5000 (500)			
Frequency Response		See typical amplitude response			
Mounted Resonance Frequency	kHz	45			
Amplitude Response ±10%	Hz	0.3 to 11000			
Residual Noise (1 Hz to 22 kHz)	ms ⁻² RMS	<0.015			
Transverse Sensitivity	%	<5			
Transverse Resonance Frequency	kHz	14			
Electrical Characteristics					
Output Impedance	Ω	<100			
Bias Voltage @ Room Temperature	V DC	+12 ±0.5			
Bias Voltage in Temperature Range	V DC	+10 to +15			
Power Supply	mA	+2 to +20			
Unloaded Supply Voltage	V	+24 to +30			
Insulation Resistance (Case to Shield)	MΩ	>10			
Environmental Characteristics					
Temperature Range	°C (°F)	-50 to +100 (-58 to +212)			
Enclosure Rating		IP68			
Maximum Pressure	Pa	4.5 × 10 ⁶			
Max. Operational Sinusoidal Vibration	ms ⁻² (g) pk	±5000 (500)			
Max. Operational Shock	ms ⁻² (g) pk	±20000 (2000)			
Base Strain Sensitivity @ 250 με	ms ⁻² /μ strain	0.01			
Thermal Transient Sensitivity	ms ⁻² /°C	1			
Magnetic Sensitivity (50 Hz, 0.038 Tesla)	ms ⁻² (g)/T	7			
Physical Characteristics					
Dimensions		See outline drawing			
Weight in Air including 0.15 metre cable	gram	44			
Case Material		Stainless Steel AISI 904L			
Jacket Material	Cable	Polyurethane			
	Housing	NBR			
Length of Integral Cable	m	10	30	50	100
Connector		BNC			
Mounting Stud		1/4-inch–28 UNF-2A			

All values are typical at 25°C (77°F) unless measurement uncertainty is specified

Ordering Information



Type 5958 includes the following accessories:

- Carrying box
- Calibration Chart

CALIBRATION SERVICES

- 5958 CAF: Accredited Calibration
- 5958 CFF: Factory Standard Calibration

Compliance with Standards

-  Compliance with EMC Directive and Low Voltage Directive of the EU
-  Compliance with the EMC requirements of Australia and New Zealand

Brüel & Kjær reserves the right to change specifications and accessories without notice

HEADQUARTERS: DK-2850 Nærum · Denmark · Telephone: +45 4580 0500
Fax: +45 4580 1405 · www.bksv.com · info@bksv.com

Australia (+61) 2 9889-8888 · Austria (+43) 1 865 74 00 · Brazil (+55) 11 5188-8161
Canada (+1) 514 695-8225 · China (+86) 10 680 29906 · Czech Republic (+420) 2 6702 1100
Finland (+358) 9-521 300 · France (+33) 1 69 90 71 00 · Germany (+49) 421 17 87 0
Hong Kong (+852) 2548 7486 · Hungary (+36) 1 215 83 05 · Ireland (+353) 1 807 4083
Italy (+39) 0257 68061 · Japan (+81) 3 5715 1612 · Republic of Korea (+82) 2 3473 0605
Netherlands (+31) 318 55 9290 · Norway (+47) 66 77 11 55 · Poland (+48) 22 816 75 56
Portugal (+351) 21 41 69 040 · Singapore (+65) 6377 4512 · Slovak Republic (+421) 25 443 0701
Spain (+34) 91 659 0820 · Sweden (+46) 33 225 622 · Switzerland (+41) 44 880 7035
Taiwan (+886) 2 2502 7255 · United Kingdom (+44) 14 38 739 000 · USA (+1) 800 332 2040

Local representatives and service organisations worldwide

Brüel & Kjær 

